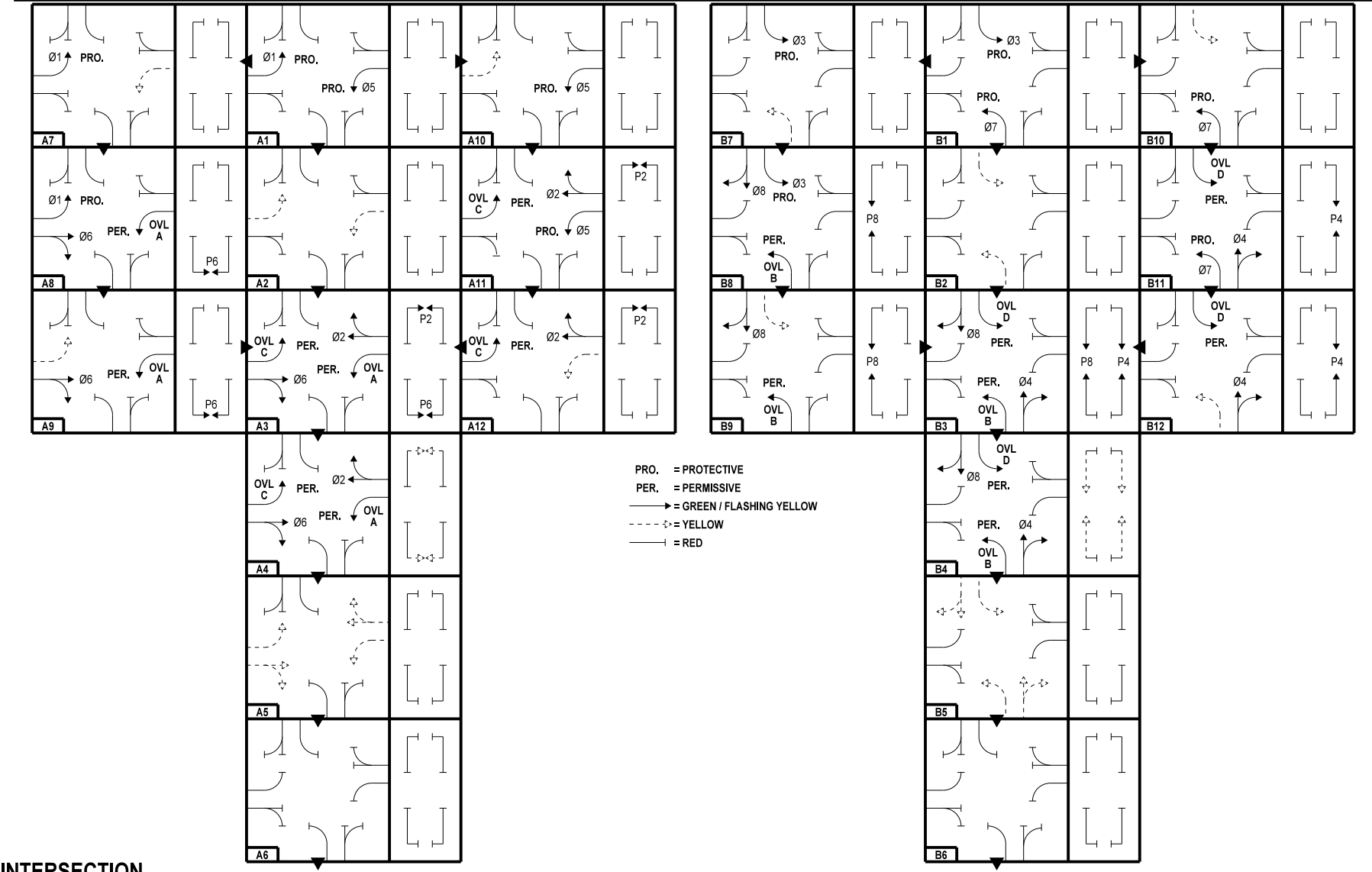


REVISIONS		
NO.	DESCRIPTION	DATE

PHASING DIAGRAM

PHASE "A" CHESTNUT AVE. **PHASE "B" CLEVELAND ST.**



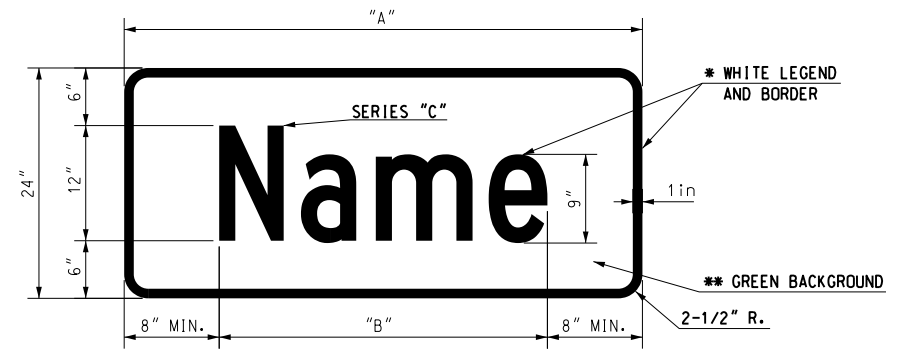
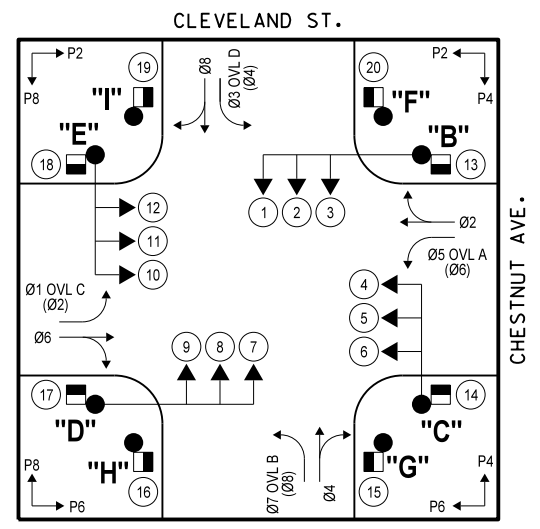
PRO. = PROTECTIVE
 PER. = PERMISSIVE
 — = GREEN / FLASHING YELLOW
 - - - = YELLOW
 — = RED

TO: A1, A8, A11, B1, B3, B8 OR B11

TO: B1, B8, B11, A1, A3, A8 OR A11

DIRECTION	BLOCK NO.	PHASE											
		Ø7 OVL B	Ø4	Ø1 OVL C	Ø6	Ø3 OVL D	Ø8	Ø5 OVL A	Ø2	P4	P6	P8	P2
		SIGNAL HEAD NO.											
		1	2,3	4	5,6	7	8,9	10	11,12	13,14	15,16	17,18	19,20
Ø1, Ø5 ROW	A1	←R	R	←G	R	←R	R	←G	R	DW	DW	DW	DW
Ø1, Ø5 CL	A2	←R	R	←Y	R	←R	R	←Y	R	DW	DW	DW	DW
Ø2, Ø6, OVL A, OVL C, P2, P6 ROW	A3	←R	R	←F	G	←R	R	←F	G	DW	W	DW	W
Ø2, Ø6, OVL A, OVL C ROW & P2, P6 CL	A4	←R	R	←F	G	←R	R	←F	G	DW	FDW	DW	FDW
Ø2, Ø6, OVL A, OVL C CL	A5	←R	R	←Y	Y	←R	R	←Y	Y	DW	DW	DW	DW
ALL RED	A6	←R	R	←R	R	←R	R	←R	R	DW	DW	DW	DW
Ø1 ROW & Ø5 CL	A7	←R	R	←G	R	←R	R	←Y	R	DW	DW	DW	DW
Ø1, Ø6, OVL A, P6 ROW	A8	←R	R	←G	G	←R	R	←F	R	DW	W	DW	DW
Ø6, OVL A, P6 ROW & Ø1 CL	A9	←R	R	←Y	G	←R	R	←F	R	DW	W	DW	DW
Ø5 ROW & Ø1 CL	A10	←R	R	←Y	R	←R	R	←G	R	DW	DW	DW	DW
Ø2, Ø5, OVL C, P2 ROW	A11	←R	R	←F	R	←R	R	←G	G	DW	DW	DW	W
Ø2, OVL C, P2 ROW & Ø5 CL	A12	←R	R	←F	R	←R	R	←Y	G	DW	DW	DW	W
Ø3, Ø7 ROW	B1	←G	R	←R	R	←G	R	←R	R	DW	DW	DW	DW
Ø3, Ø7 CL	B2	←Y	R	←R	R	←Y	R	←R	R	DW	DW	DW	DW
Ø4, Ø8, OVL B, OVL D, P4, P8 ROW	B3	←F	G	←R	R	←F	G	←R	R	W	DW	W	DW
Ø4, Ø8, OVL B, OVL D ROW & P4, P8 CL	B4	←F	G	←R	R	←F	G	←R	R	FDW	DW	FDW	DW
Ø4, Ø8, OVL B, OVL D CL	B5	←Y	Y	←R	R	←Y	Y	←R	R	DW	DW	DW	DW
ALL RED	B6	←R	R	←R	R	←R	R	←R	R	DW	DW	DW	DW
Ø3 ROW & Ø7 CL	B7	←Y	R	←R	R	←G	R	←R	R	DW	DW	DW	DW
Ø3, Ø8, OVL B, P8 ROW	B8	←F	R	←R	R	←G	G	←R	R	DW	DW	W	DW
Ø8, OVL B, P8 ROW & Ø3 CL	B9	←F	R	←R	R	←Y	G	←R	R	DW	DW	W	DW
Ø7 ROW & Ø3 CL	B10	←G	R	←R	R	←Y	R	←R	R	DW	DW	DW	DW
Ø4, Ø7, OVL D, P4 ROW	B11	←G	G	←R	R	←F	R	←R	R	W	DW	DW	DW
Ø4, OVL D, P4 ROW & Ø7 CL	B12	←Y	G	←R	R	←F	R	←R	R	W	DW	DW	DW
FLASHING OPERATION	-	←FR	FR	←FR	FR	←FR	FR	←FR	FR	-	-	-	-

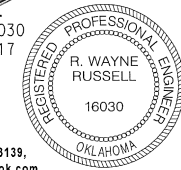
INTERSECTION PHASING & SIGNAL HEAD NO.'S



SUMMARY OF MAST ARM MOUNTED SIGNS							
MESSAGE	POLE LOCATION	NO. OF SIGN	A (IN.)	HEIGHT (IN.)	B (IN.)	SIGN AREA (SQ.FT.)	TOTAL SIGN AREA (SQ.FT.)
Chestnut Ave	B,D	2	96.0	24.0	84.4	16.00	32.00
Cleveland St	C,E	2	90.0	24.0	79.3	15.00	30.00
R10-12M	B,C,D,E	4	30.0	36.0	--	7.50	30.00
TOTAL							92.00

* - TYPE VIII VIP REFLECTIVE SHEETING SHALL BE USED
 ** - TYPE III VIP REFLECTIVE SHEETING SHALL BE USED

R. Wayne Russell
 R. WAYNE RUSSELL, P.E. # 16030
 C.A. # 1160, RENEWAL 06-30-17



12-12-16
 DATE

Traffic Engineering Consultants, Inc.
 6000 S. Western, Suite 300 - Oklahoma City, OK 73139,
 Ph: 405-720-7721, Fax: 405-720-9848, Web: www.tecok.com

Design	RWR	2/14/2016
Drawn	CCC	2/14/2016



SIGNAL DETAIL
CLEVELAND ST. & CHESTNUT AVE.

Project No. R-1311A Sheet No. 12